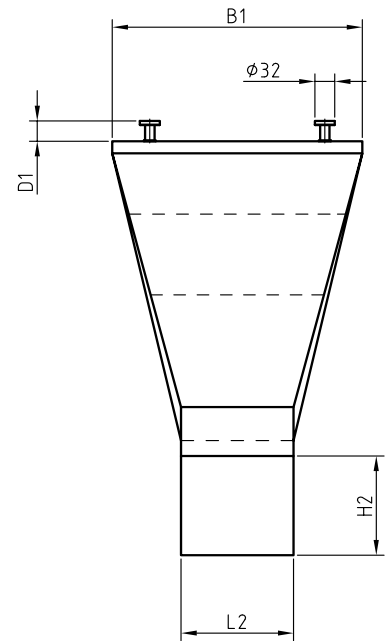
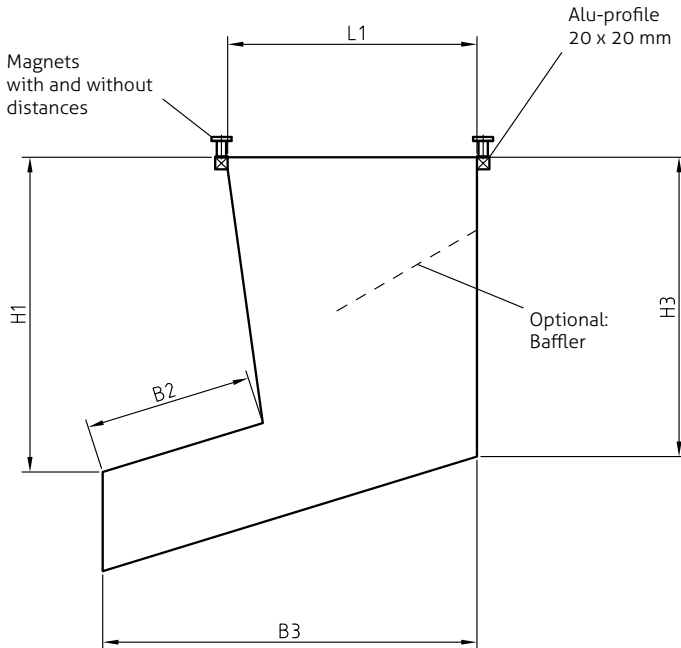


Dopyt zberače výsledkov

Company
Street, No.
ZIP
City

Contact person
Phone
Mail
Quantity (piece)



Width	B1=	mm
Width of the runout top	B2=	mm
Width of the runout bottom	B3=	mm
Distance to the tool (min. 8 mm magnetheight)	D1=	mm
Height from top of the funnel to the top of the runout	H1=	mm
Height of runout	H2=	mm
Body height	H3=	mm
Length	L1=	mm
Length of runout	L2=	mm

Options:

Baffler

Size of the moulded parts (L x W x H)

Changeable base

mm

Material:

FM100.001 (PE, blue)

FM100.003 (PVC, blue)

FM100.005 (PP, white, FDA)

FM100.002 (PVC, silver)

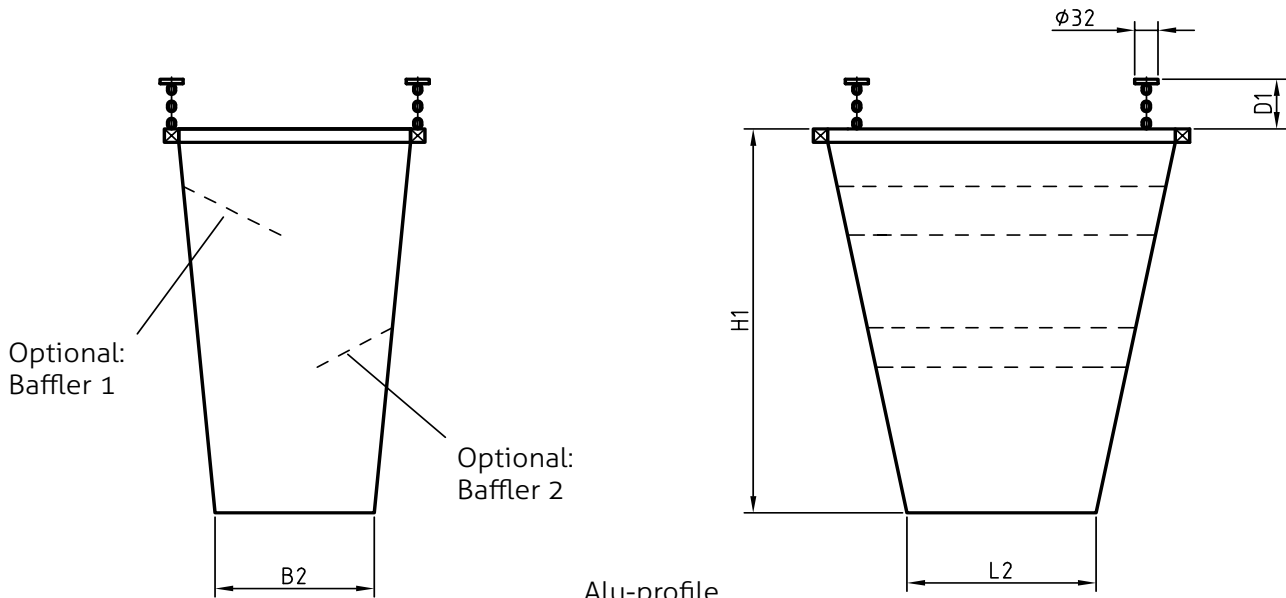
FM100.004 (Kevlar, silver)

FM100.006 (PBT, white)

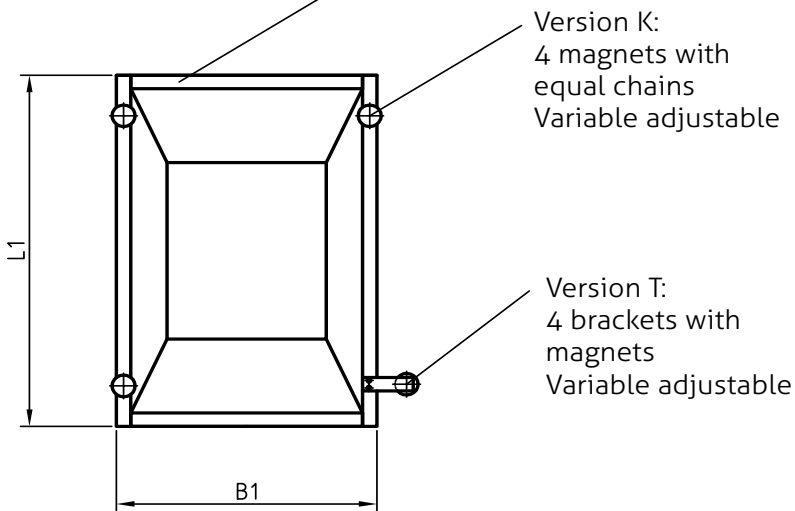
Dopyt zberače výsledkov

Company
Street, No.
ZIP
City

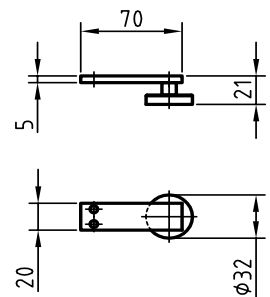
Contact person
Phone
Mail
Quantity (piece)



Alu-profile
20 x 20 mm



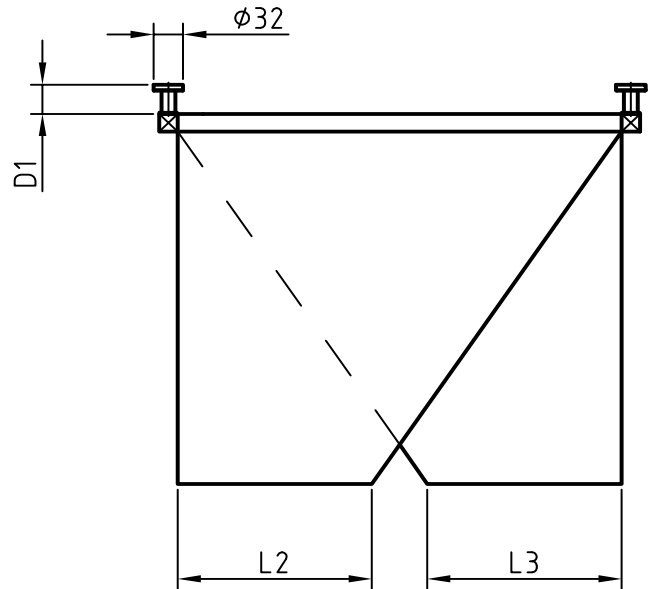
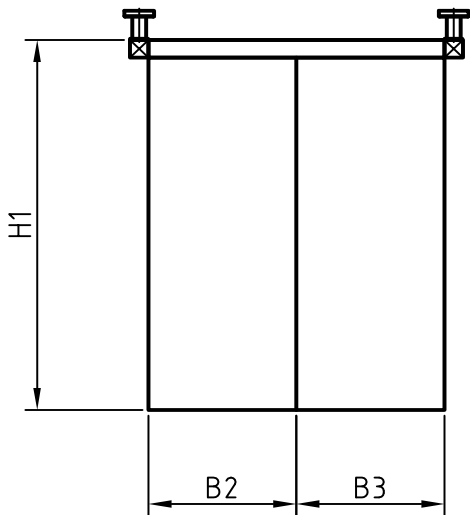
Measurements brackets



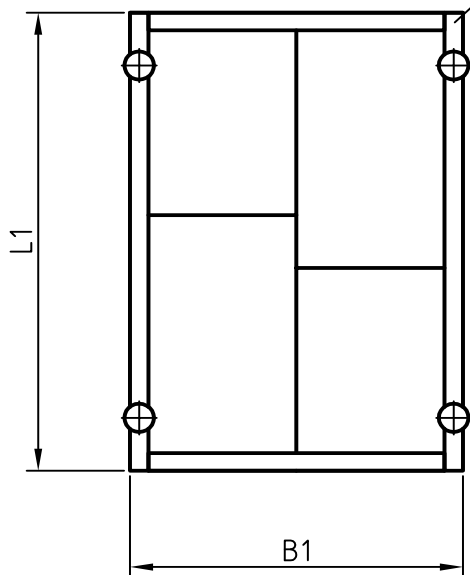
Dopyt zberače výsledkov

Company
Street, No.
ZIP
City

Contact person
Phone
Mail
Quantity (piece)



Alu-profile
20 x 20 mm



Dopyt zberače výsledkov

Width	B1=	mm
Width of runout 1	B2=	mm
Width of runout 2	B3=	mm
Distance to the tool (min. 8 mm magnetheight)	D1=	mm
Height	H1=	mm
Length	L1=	mm
Length of runout 1	L2=	mm
Length of runout 2	L3=	mm

Size of the moulded parts (L x W x H)

mm

Material:

FM100.001 (PE, blue)

FM100.003 (PVC, blue)

FM100.005 (PP, white, FDA)

FM100.002 (PVC, silver)

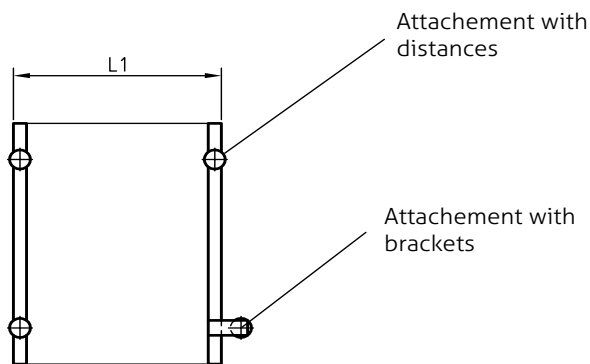
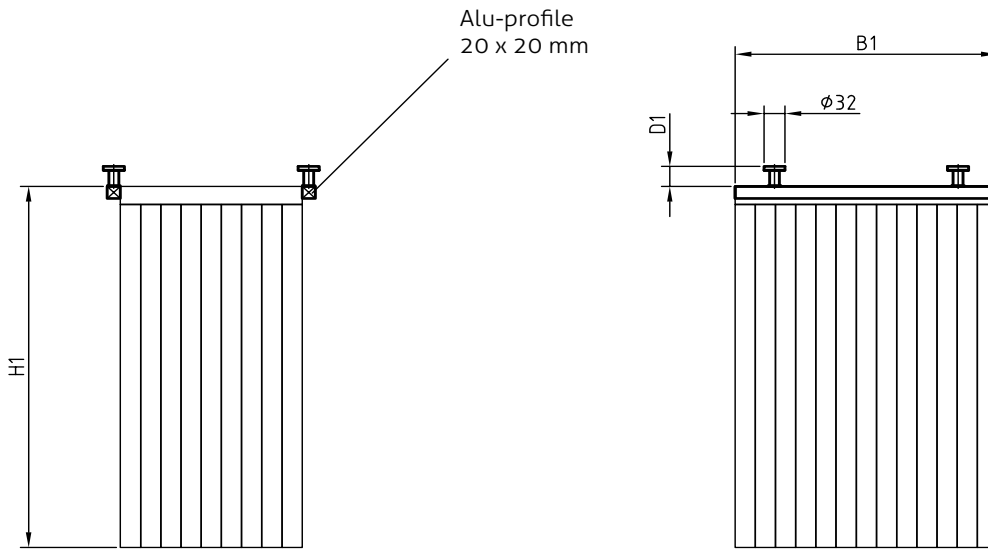
FM100.004 (Kevlar, silver)

FM100.006 (PBT, white)

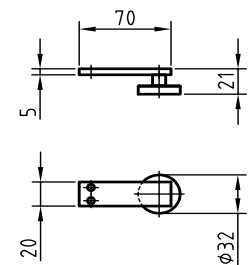
Dopyt zberače výsledkov

Company
Street, No.
ZIP
City

Contact person
Phone
Mail
Quantity (piece)



Measurements brackets



Width

B1= mm

Distance to the tool (min. 8 mm magnetheight)

D1= mm

Height

H1= mm

Length

L1= mm

Options:

Attachement with brackets (4 pieces)

Attachement with distances (4 pieces)

Material:

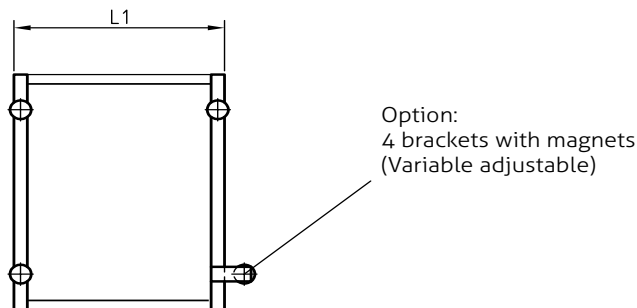
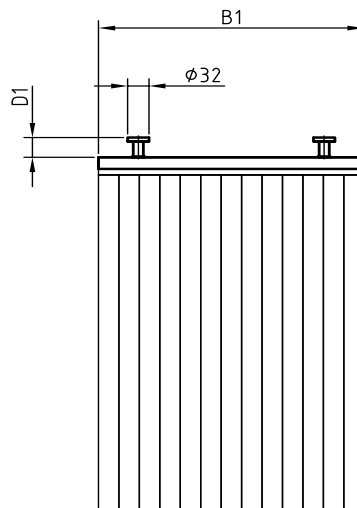
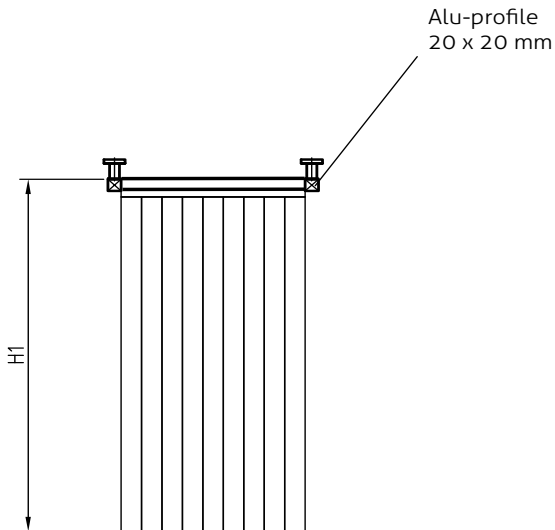
FM100.002 (PVC, silver)

FM100.003 (PVC, blue)

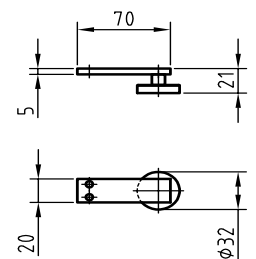
Dopyt zberače výsledkov

Company
Street, No.
ZIP
City

Contact person
Phone
Mail
Quantity (piece)



Measurements brackets



Width
Distance to the tool (min. 8 mm magnetheight)
Height
Length

B1= mm
D1= mm
H1= mm
L1= mm

Options:

- Attachement with brackets (4 pieces)
- Attachement with distances (4 pieces)

Material:

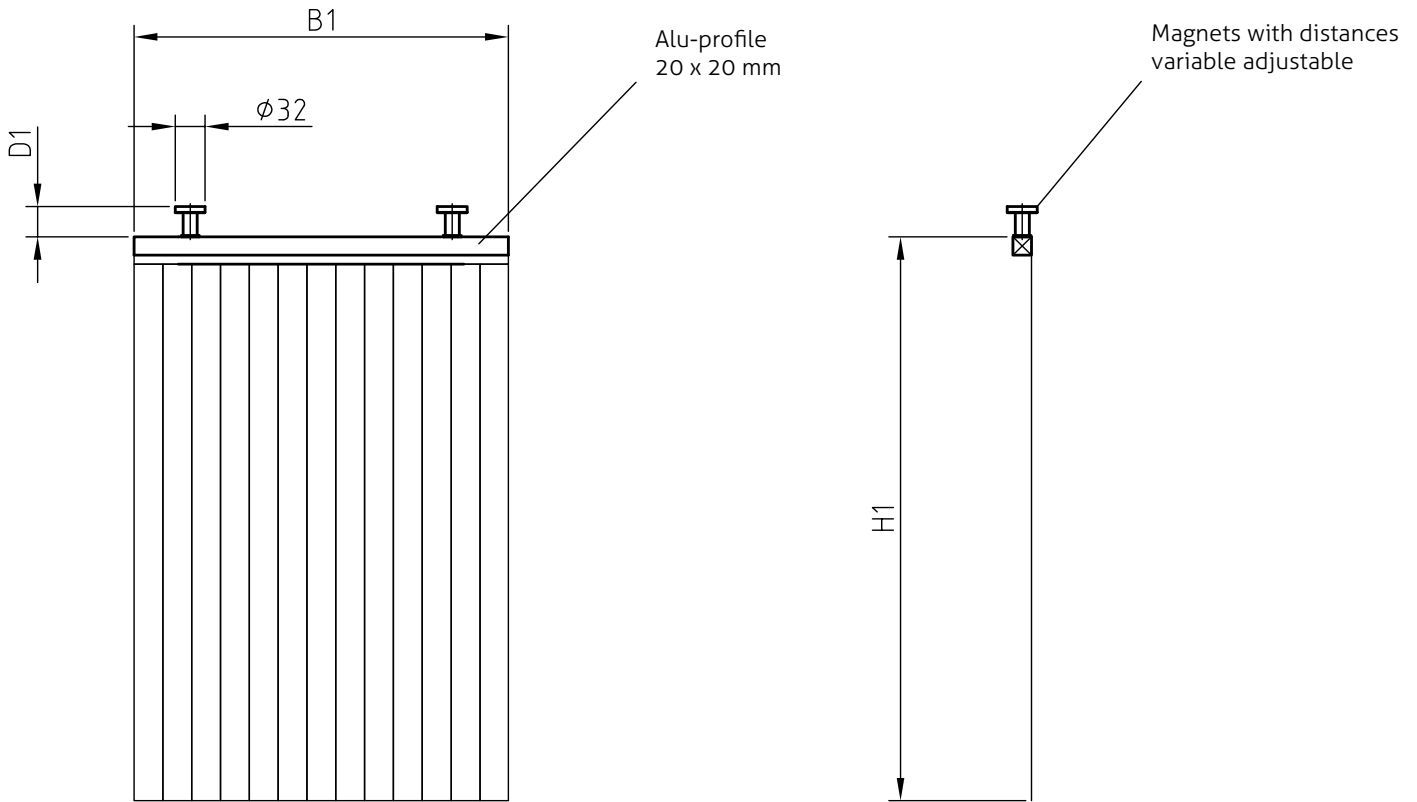
FM100.002 (PVC, silver)

FM100.003 (PVC, blue)

Dopyt zberače výsledkov

Company
Street, No.
ZIP
City

Contact person
Phone
Mail
Quantity (piece)



Width

B1= mm

Height

H1= mm

Distances (standard = 45 mm)

D1= mm

Material:

FM100.002 (PVC, silver)

FM100.003 (PVC, blue)